

TECHNICAL DATASHEET



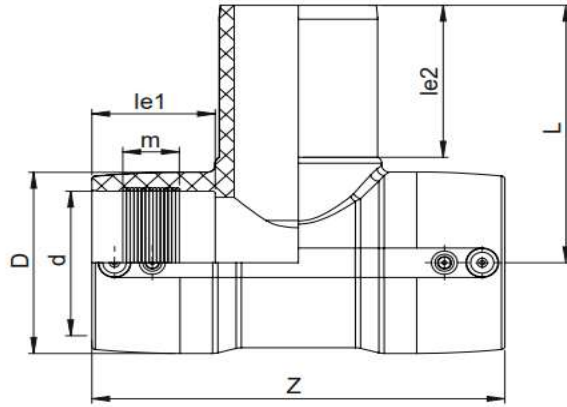
EF EQUAL TEE 90°

04 Update - 04/2024

TECHNICAL DATA

Article No	101 117 2041 0250
d (mm)	250
D (mm)	303
Z (mm)	448
L (mm)	314
le1 (mm)	109
le2 (mm)	129
m (mm)	
Weight (Kg)	13,350
Box Quantity (pcs)	1
Box Dimension (cm)	478x348x498

INJECTION MOULDED



IDENTIFICATION OF PRODUCT

D(mm)	250
SDR	11
RAW MATERIAL	PE 100
PRESSURE CLASS	16 Bar Water 10 Bar Gas
TRADEMARK	NTG
EXECUTION	Injection Moulded
STANDARD	EN 12201-3 EN 1555-3 AS / NZS 4129

EF SPECIFICATION

WELDING VOLTAGE	40V
RESISTANCE	Ω
WELDING TIME	Sec.
COOLING TIME	Min.
WINDING TYPE	Monofilar
WELDING BARCODE	



971420331803400906530118

SPECIFICATION

Suitable for SDR11...21 pipe
4 mm pin connectors

borkod ve direnç yok

Tolerance on diameters and thickness according to the standards. The other dimensions are specialized. Tolerance $\pm 5\%$. NTG PLASTIK reserves all the right to change any information without giving prior notice. The production, distribution and utilization of this document without explicit authorization is prohibited.